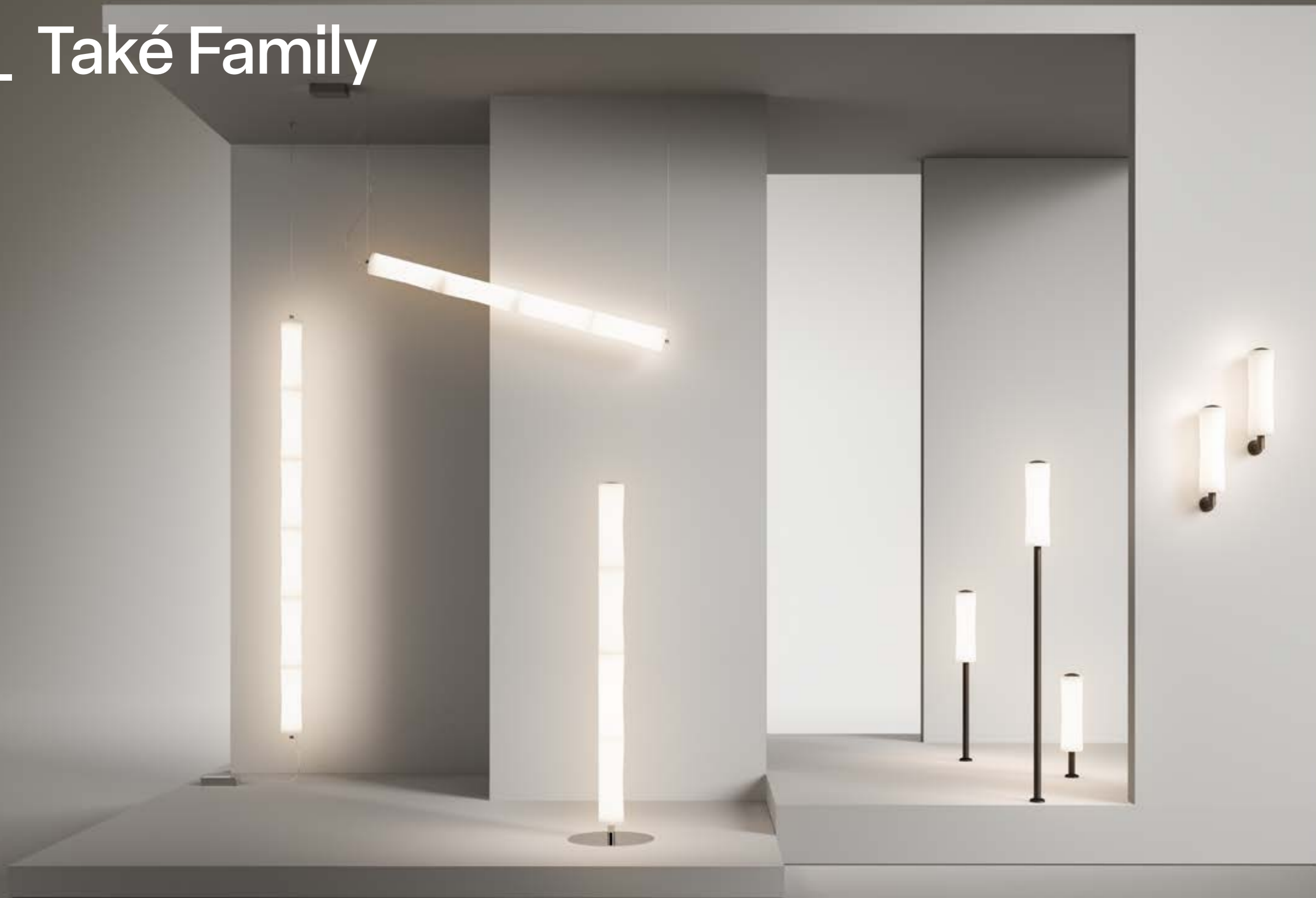


_ Také Family



Také Family

Design VillaTosca



ECOSISTEMI DI LUCE

Disegnata da VillaTosca, Také ha linee flessuose, essenziali e armoniose, che ricordano la forma del bambù, caratterizzate dal perfetto equilibrio tra flessibilità d'utilizzo e personalità estetica.

ECOSYSTEMS OF LIGHT

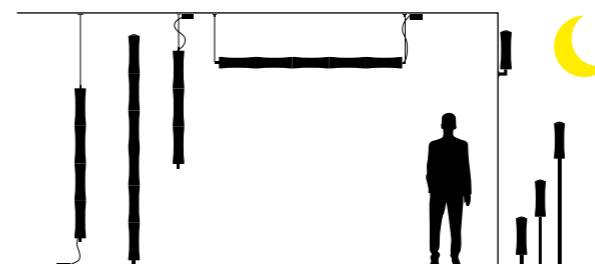
Designed by VillaTosca, Také has graceful, essential, and harmonious lines that recall the shape of bamboo featuring the perfect balance between flexibility of use and aesthetic personality.

ÉCOSYSTÈMES DE LUMIÈRE

Dessinée par VillaTosca, Také présente des lignes souples, essentielles et harmonieuses, rappelant la forme du bambou, caractérisées par l'équilibre parfait entre la souplesse d'utilisation et la personnalité esthétique.

ÖKOSYSTEM DES LICHTS

Entworfen von VillaTosca, hat Také anmutige, essenzielle und harmonische Linien, die an die Form des Bamboos erinnern und ein perfektes Gleichgewicht zwischen Nutzungsflexibilität und ästhetischer Persönlichkeit bieten.



TAKÉ PLUS S3 - S4 - S5 - S6**Suspension lamp**

- Lampada a sospensione realizzata in PE bianco opale a 3, 4, 5 e 6 moduli. Gli attacchi consentono di personalizzare l'inclinazione della lampada. Sorgente LED integrata e alimentatore ON-OFF o dimmerabile tramite controllo Bluetooth. I dettagli sono disponibili in bianco opaco o cromo.

- Suspension lamp made of PE white opal with 3, 4, 5 and 6 modules. The mounts allow the user to adjust the lamp's inclination. Embedded LED light sources and ON-OFF dimmable power supply through Bluetooth control. Available with finishes in matte white or chrome.

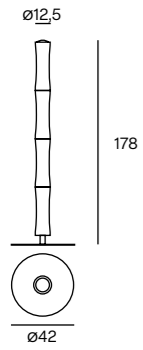
- Suspension en PE blanc opale à 3, 4, 5 et 6 éléments. Les attaches fournies permettent de personnaliser l'inclinaison de la lampe. Source LED intégrée et alimentation ON-OFF ou dimmable via Bluetooth. Les détails sont disponibles en blanc mat ou chromés.

- Hängelampe aus opalweißem PE und mit 3,4,5 und 6 Modulen erhältlich. Die Halterungen ermöglichen es dem Benutzer, die Neigung der Lampe einzustellen. Integrierte LED-Lichtquellen und dimmbare ON-OFF-Stromversorgung durch Bluetooth-Steuerung. Verfügbar mit den Verzierungen in mattweiß oder Chrom.



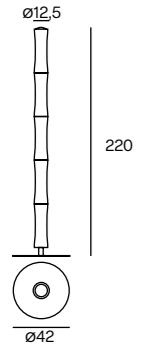
TAKÉ PLUS BT 04

Floor lamp



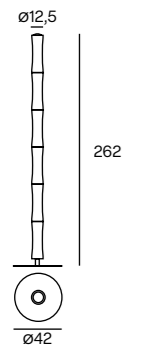
TAKÉ PLUS BT 05

Floor lamp



TAKÉ PLUS BT 06

Floor lamp



106 Matte White
150 Chrome

Diffuser: PE Polyethylene Opal White

LED 64W 4400lm 3000K CRI>90
ON-OFF foot dimmer with Bluetooth Control through application for Android and iOS systems

CE Classe I IP20

Unit: cm



106 Matte White
150 Chrome

Diffuser: PE Polyethylene Opal White

LED 80W 5500lm 3000K CRI>90
ON-OFF foot dimmer with Bluetooth Control through application for Android and iOS systems

CE Classe I IP20

Unit: cm



106 Matte White
150 Chrome

Diffuser: PE Polyethylene Opal White

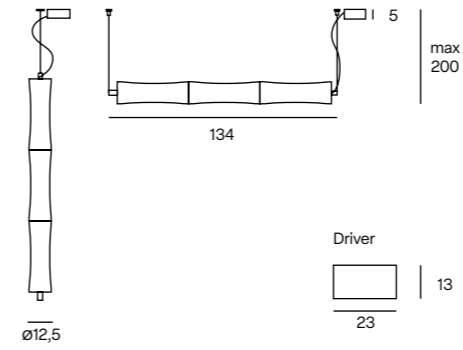
LED 96W 6600lm 3000K CRI>90
ON-OFF foot dimmer with Bluetooth Control through application for Android and iOS systems

CE Classe I IP20

Unit: cm

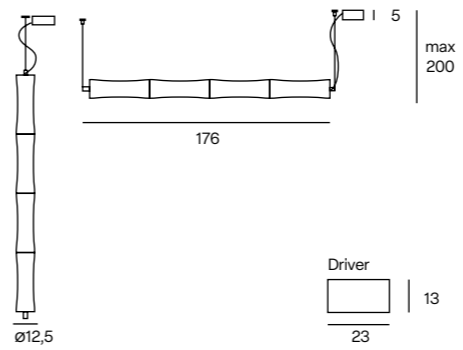
TAKÉ PLUS S3 (BT or ON-OFF)

Suspension lamp



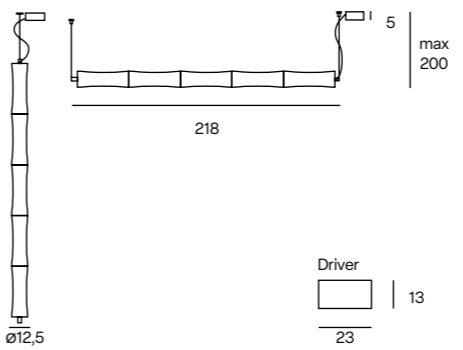
TAKÉ PLUS S4 (BT or ON-OFF)

Suspension lamp



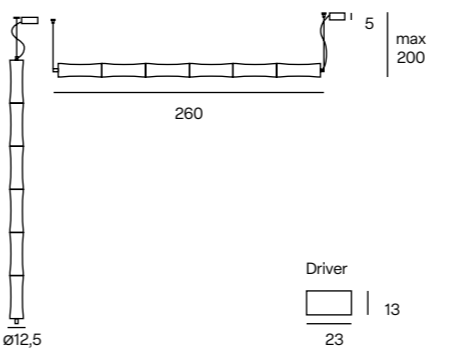
TAKÉ PLUS S5 (BT or ON-OFF)

Suspension lamp



TAKÉ PLUS S6 (BT or ON-OFF)

Suspension lamp



106 Matte White
150 Chrome

Diffuser: PE Polyethylene Opal White

LED 48W 3300lm 3000K CRI>90
ON-OFF or Bluetooth Control with application for Android and iOS systems

CE Classe I IP20

Unit: cm



106 Matte White
150 Chrome

Diffuser: PE Polyethylene Opal White

LED 64W 4400lm 3000K CRI>90
ON-OFF or Bluetooth Control with application for Android and iOS systems

CE Classe I IP20

Unit: cm



106 Matte White
150 Chrome

Diffuser: PE Polyethylene Opal White

LED 80W 5500lm 3000K CRI>90
ON-OFF or Bluetooth Control with application for Android and iOS systems

CE Classe I IP20

Unit: cm



106 Matte White
150 Chrome

Diffuser: PE Polyethylene Opal White

LED 96W 6600lm 3000K CRI>90
ON-OFF or Bluetooth Control with application for Android and iOS systems

CE Classe I IP20

Unit: cm